



# Wellworth® Classic

Two-piece elongated 1.0 gpf toilet, less seat  
K-3531-T

## Features

- Vitreous china.
- Elongated bowl offers added room and comfort.
- Equipped with Sloan FLUSHMATE® – Sloan® Valve Company.
- Polished Chrome trip lever.
- Tank cover locks included.
- 1.0 gpf (3.8 lpf).
- 11-1/2" (292 mm) x 9-1/2" (241 mm) water area.

## Installation

- Seat and supply line sold separately.
- Standard 12" (305 mm) rough-in.

## Recommended Products/Accessories

- K-4636 Cachet® Quiet-Close™ Elongated Toilet Seat
- K-5588 Purefresh® Elongated Toilet Seat
- K-4108 C³®-230 Elongated bidet toilet seat
- K-5420 Low-Profile Bolt Caps

## Included Components

Product consists of:

- K-4303 Toilet bowl, less seat
- K-4484-T Toilet tank with cover locks, 1.0 gpf

Additional Components:

- Bolt cap accessory pack
- Equipped with Sloan FLUSHMATE® – Sloan® Valve Company
- Tank cover
- Trip lever



## Codes/Standards



- ASME A112.19.2/CSA B45.1
- DOE - Energy Policy Act 1992
- EPA WaterSense®
- California Energy Commission (CEC)

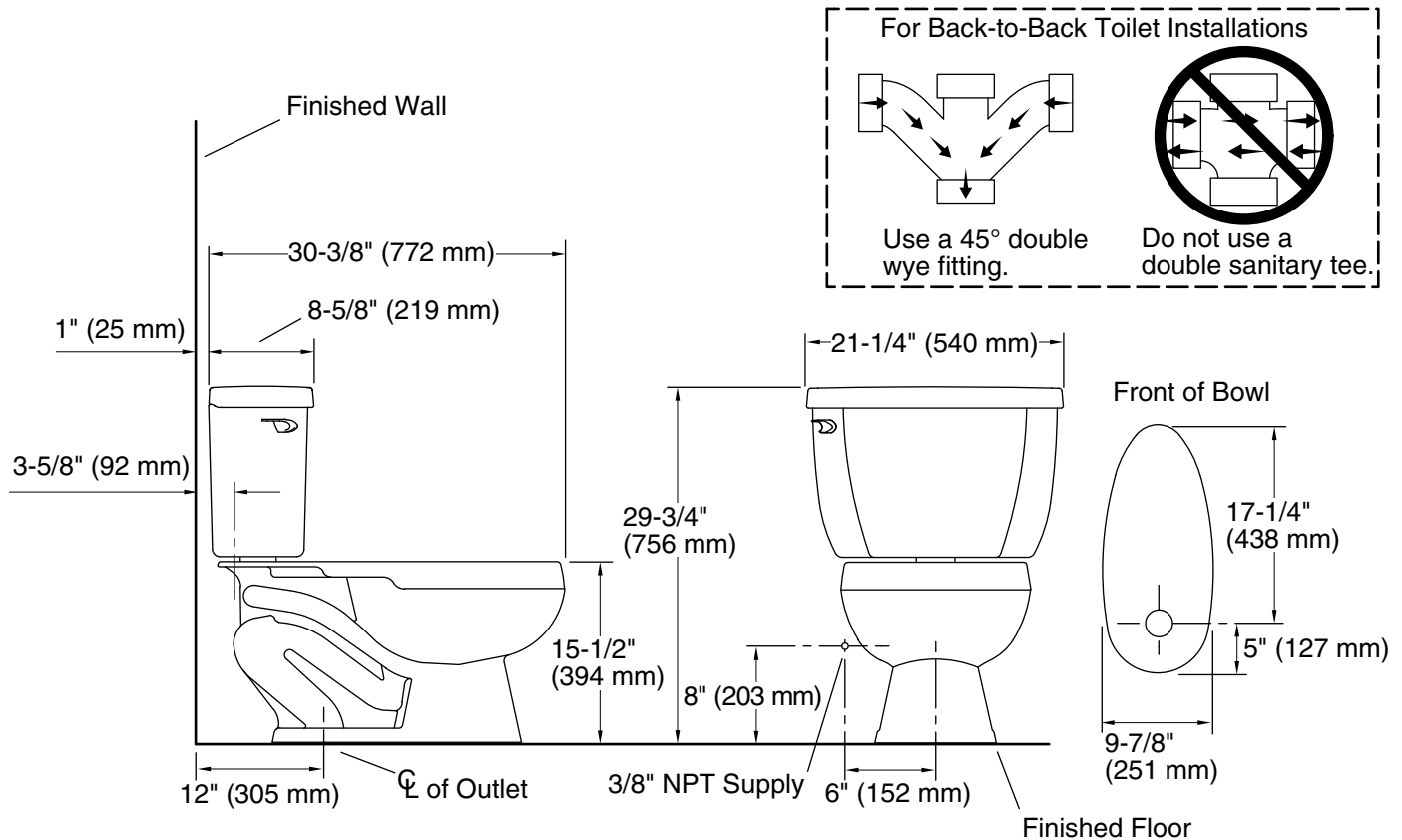
## KOHLER® One-Year Limited Warranty

See website for detailed warranty information.

## Available Colors/Finishes

*Color tiles intended for reference only.*

Color	Code	Description
	96	Biscuit
	7	Black Black™



### Technical Information

All product dimensions are nominal.

Toilet type:	Two-piece, Floor-mount
Waste Outlet:	Floor
Bowl shape:	Elongated
Flush type:	Pressure Assisted
Trap passageway:	2-1/4" (57 mm)
Water Consumption	
Full:	1 gpf (3.8 lpf)
Water surface size:	11-1/2" x 9-1/2" (292 mm x 241 mm)
Rim to water surface:	5-5/8" (143 mm)
Rough-in:	12" (305 mm)
Seat-mounting holes:	5-1/2" (140 mm)

### Fixture Supply Requirements

Min static pressure:	35 psi (241.3 kPa)
Max static pressure:	80 psi (551.6 kPa)

### Notes

Install this product according to the installation instructions.

For back-to-back toilet installations: Use only a 45° double wye fitting.